

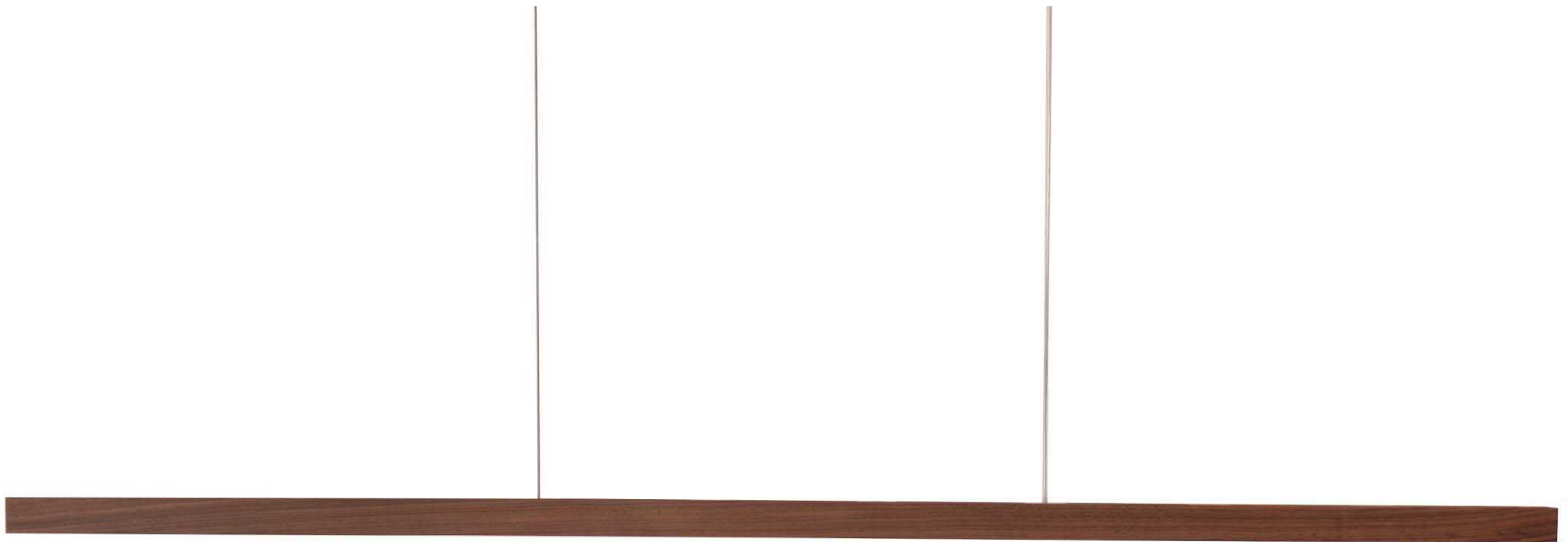


STICK EVO Pedant

A kitchen counter with a sink, fruit bowl, and bananas, with a dining table set for two in the foreground. The scene is lit with warm, soft light, creating a cozy atmosphere. The dining table is set with two place settings, each featuring a white plate, a dark blue napkin, a wine glass filled with a golden liquid, and silverware. A wooden cutting board with a loaf of bread and a small bowl of sauce is also on the table. The kitchen counter in the background has a sink with a curved faucet, a bowl of fruit, and a plate of bananas.

Keep your dining room like Michelin star restaurant

Deliver precise, quality light across the entire dining table,
as well as exceptional glare-free for happy and health eyes



Made from walnut
Natural texture
Elegant and classic



Minimalist design integrates into any dining space



Gave dining room open spatial impression

3340lm optimal batwing indirect lighting is evenly distributed across the entire dining room ceiling



Feast

CRI91 R9 70 Rf 90 Rg 101
72pcs precise lens just focus on table which weaken spatial and attract attention



Create warm, bright and hospitable atmosphere

Adopt ANSI C78.377 standard which keep face look rosy



Turn
dining table
 into
study table

Item	Illumination (R60)	Uniformity (R60)	CRI	R9	Rf	Rg	UGR	Flicker	Bluelight
STICK EVO Pedant	1500Lux	≥ 0.7	93	68	90	101	12	10000Hz	RG0
National classroom lighting standard	> 500Lux	≥ 0.6	≥ 90	—	—	—	≤ 19	—	RG0
EN12464-1-2002	> 300Lux	≥ 0.7	≥ 90	—	—	—	≤ 19	3.2%	RG0



Meeting the needs of parents ¹
UGR12 1500lux CRI91

¹ Elder visual changes: more sensitive to glare. Require more than 2 times illumination of young people. Deterioration of color recognition
Peter R. Boyce. Human factors in Lighting(third edition) M New York: CRC Press 2014.487-519



Touch-less dimming



ZERO benzene, zero formaldehyde

Follow EURO-NORM EN1186.5/14 standard
Follow EN 71 and DIN EN1186-13 standard



Can be directly scrubbed

IP53,DC24V

5 years warranty

Walnut
Germany OSMO Wood wax oil
72 pcs precise optic
576 pcs big-sized chip
High quality PCB with 2 ounce copper layer and $2.0W/(m \cdot K)$
TRIDONIC driver
3M VHB 4950 tape
DYMAX coating
Mitsubishi PC
WAGO connector
Aluminum frame









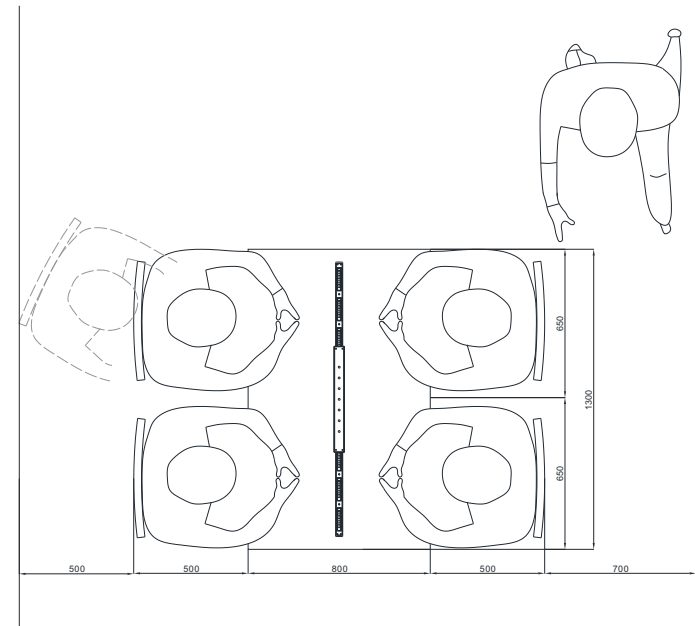
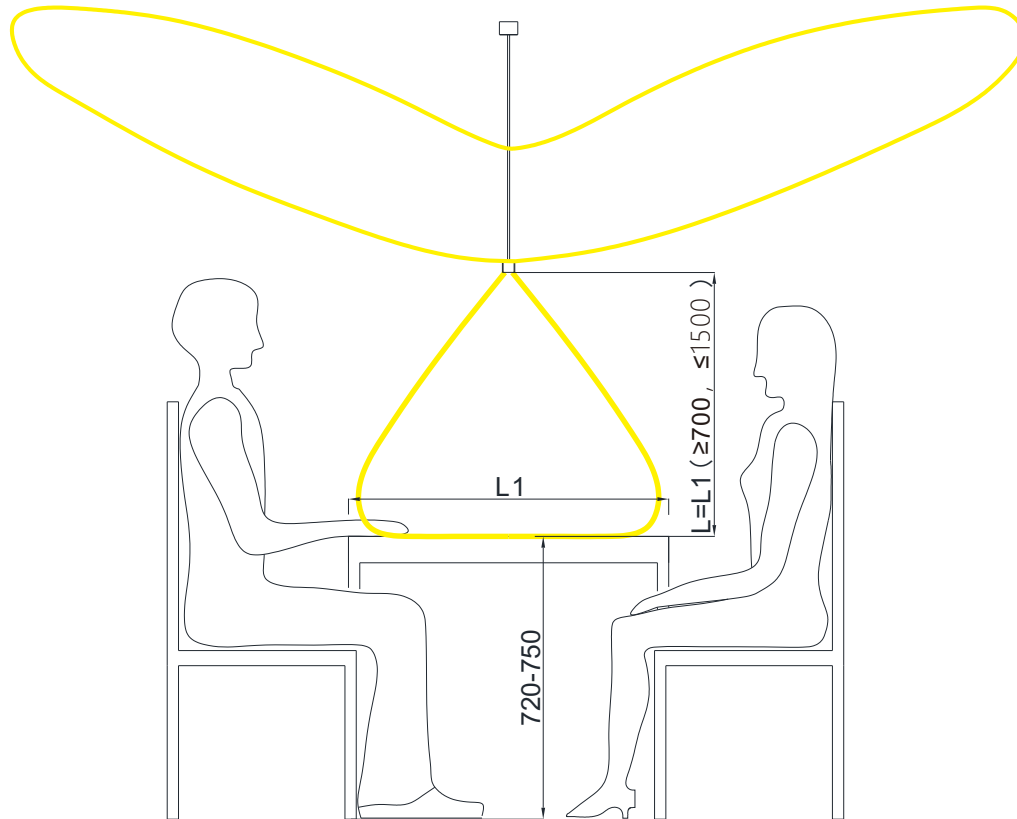






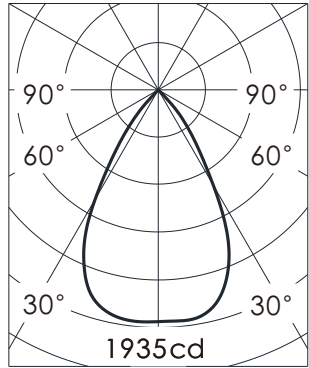


Conditions of Use



1. The reserved wire must be in the middle of the table
2. The distance between the lamp and the table is equal to the width of the table
3. The recommended length of the dining table is 1.2-1.5 meters
4. ERGONOMIC should be considered

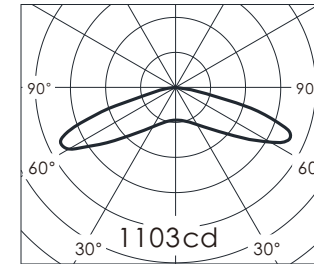
Lighting distribution



View angle : 60°

Height(m)	Illumination (lx)	Diameter (m)
1	1273	1.13
2	319	2.27
3	141	3.40
4	79.5	4.54
5	50.9	5.67

Direct luminous flux: 1750lm



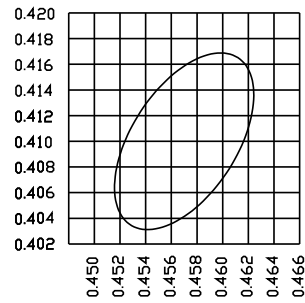
发光角度: 160°

高度 (m)	照度 (lx)	直径 (m)
1	81.9	5.82
2	20.5	11.65
3	9.096	17.40

Indirect luminous lux: 3750lm

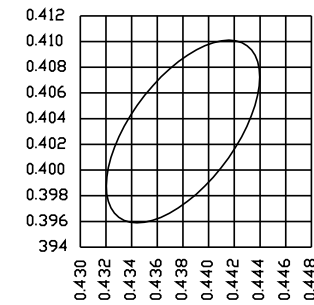
Bin standard

ANSI C78.377



BIN:27A

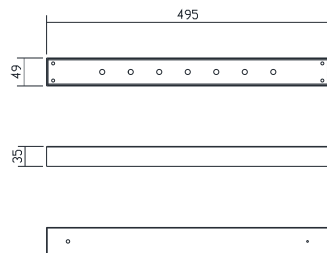
Centred x	Centred y	Nominal CCT (K)	CCT Range(K)	MacAdam ellipse
0.4578	0.4101	2700	2660-2730	3SDCM



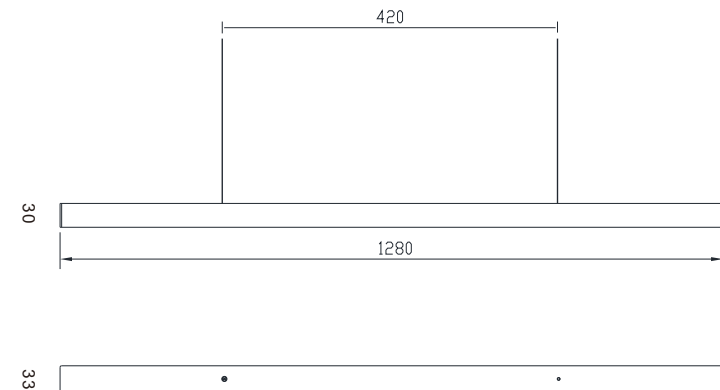
BIN:30A

Centred x	Centred y	Nominal CCT (K)	CCT Range(K)	MacAdam ellipse
0.4338	0.403	3000	2865-2940	3SDCM

Dimension



Driver house



STICK EVO Pedant

Electrical Characteristics

Voltage Range(V)	22-26
Power /pc (W)	UP 28.8 DOWN 13.5
Driver	Out
Dimable	Touchless
Flicker	high frequency

Optical Characteristics

Light distribution	Direct/Indirect
Luminous lux (lm)	Indirect 3340 Direct 2106
lighting source(lm/w)	128
Luminare(lm/w)	120
Color quality	2700K: CRI93 Ra95 R9 68 Rf 90 Rg 101 3000K: CRI94 Ra96 R9 72 Rf 92 Rg 101
View angle	UP 160° DOWN 60°
MacAdam Step	3SDCM
UGR	12
Color temperature	2700K/3000K

Physical Characteristics

Color	Walnut
Composition	Walnut Optic Aluminum LED
Case	Walnut
Dimension (mm)	1280×33×30
Net weight(kg)	0.96

Dependability

Warranty	5 years
Lifespan > 50.000h (Tc=85°C)	L80B50-50.000h(Tc=85°C)
IP	53
Certificate	CE RoHS
Luminare Class	III
IK	Ik03
Temperature	-20 ~ +40°C

Standards&Certificates

Integrating Sphere Test	IES LM79 (lumen,CCT,CRI,XY,SDCM,wave length)
Photometric Distribution Test	IES LM79
Aging Test	IES LM84&IES TM28
Ambient Temperature Test	UL1598&UL2388&IEC60598-1&IEC60598-2-21
High temperature High Humidity Test	UL1598&UL2388&IEC60598-1&IEC60598-2-21
Bending Test	500 cycles
Vibration Test	UL2388>750cycles
Tensile Test	Defined by Manufacturer
Drop Test	UL1598&UL2388&IEC60598-1&IEC60598-2-21
IK Test	IEC62262
Fire-Rating Test	UI94
UV Test	ASTMG154,ISO4892-3,UVA@340nm IEC60529
Salt Spray Test	IEC68-2-11
Thermal Shock Test	Non-lighting -40°C-55°C (25mins) with 5mins , 100 cycles
High temperature test	55°C

Packaging



	Qty	Dimension (mm)	Net weight(kg)	Gross Weight(kg)
Inner Box	1	1300*90*60	0.96	2.17

Installation

